



Supporting you

1300 362 923

www.healthtec.com.au

SPECIALTY

Gynae Examination Chair

The multi-function Gynae Examination Chair has been designed with comfort in mind.

The seat cut out allows for easier access for examination and procedures while the removable cut out fill section allows the chair to become a full examination table when required for other examinations.

The padded footrests replace the old fashioned stirrups providing additional comfort to the patient while the electric seat tilt allows the practitioner to effortlessly position the patient in a comfortable sitting position.



Features

- Electric Height Adjustment with footswitch
- X-Frame Lift action minimises pinch and crush points
- Heavy duty individually lockable castors
- Durable powder coated rust resistant frame
- High quality anti-microbial vinyl & CFC free foam
- 5 year warranty on frame & electrics
- Australian designed & manufactured

Specifications

- 250kg Maximum Lifting Capacity (moving)
- 400kg Maximum Working Load (stationary)
- 450mm Minimum Height
- 950mm Maximum Height
- 610mm Table Width
- Manual Backrest Adjustment +70°
- Electric pelvic seat section +20°
- Removable cut out fill section
- Adjustable padded footrests



The Healthtec Warranty

All Healthtec™ manufactured items are covered for defects in material or workmanship for 5 years from date of purchase. Original suppliers warranty applies.

TGA AR-00106892-6 © October 2013



Medical and Surgical Requisites Pty Ltd

Call within Brisbane 07 3859 2900 33 Fulcrum Street Richlands Queensland 4077 www.medsurg.com.au
Phone 1300medsurg (1300 633 787) Email medical@medsurg.com.au Fax 07 3859 2995





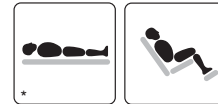
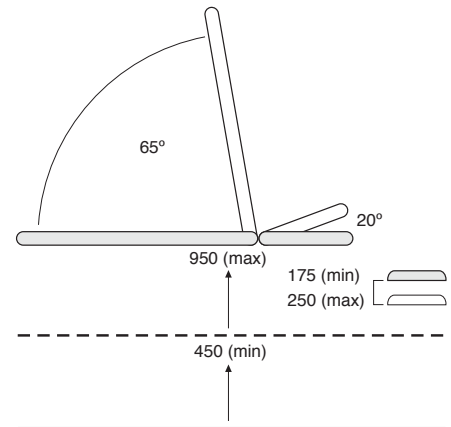
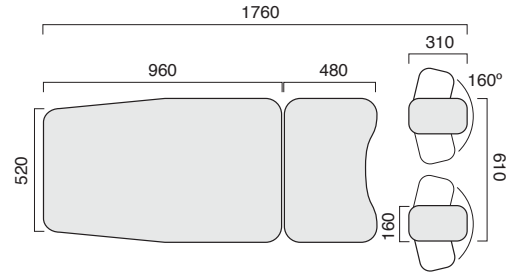
Supporting you

PRICE SHEET

www.healthtec.com.au

Gynae Examination Chair

	CODE	QTY
Product Description		
LynX Gynae Examination Chair (610 wide) w/castors	53701T	
Width Options		
670mm Width Option	-65	
770mm Width Option	-75	
Custom Width Option	6014	
Foam & Vinyl Options		
75mm Comfort Foam	6005	
Non-Stock Vinyl Option	6018	
Leather Upgrade	6008	
*please refer to our colour chart for vinyl colour options		
Head Section Options		
Nose Hole – Examination Backrest	6011-2	
Nose Hole Plug	6010	
Motor & Footswitch Option		
Electric Operated Backrest	6029	
Additional Footswitch (2 function)	6024	
Arm Rest Options		
Arm Rest – Drop Down	5112	
Castor Options		
Central Locking Castors	6037	
Hoist Access Clearance (140mm clearance)	6028	
Table Protection		
Paper Towel Roll Holder	6017	
Extended Warranty		
10 years Frame & Electrics	7800	
Freight		
Freight charges are not included in our prices. Please contact your Healthtec representative for freight costs and options.		
Shipping Dimensions	2050mm x 850mm x 650mm	
Shipping Weight	80kg (approximately)	



*when cut out fill section is fitted



Medical and Surgical Requisites Pty Ltd

Call within Brisbane 07 3859 2900 33 Fulcrum Street Richlands Queensland 4077 www.medsurg.com.au
Phone 1300medsurg (1300 633 787) Email medical@medsurg.com.au Fax 07 3859 2995

